

LEYTON

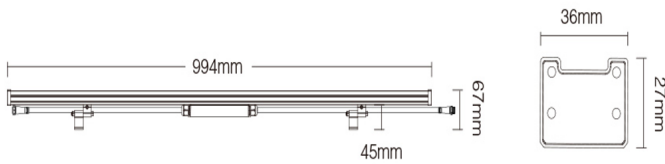
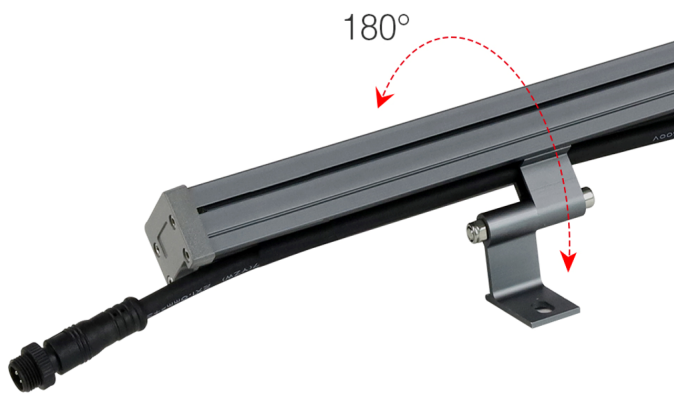
Product Data Sheet

24W 24V DC RGB+CT RF/APP Control Wall Washer

Part No: **WW-RGBCT-24W**

- RGB+CT 2700-6500k
- RF remote control / APP control with gateway (sold separately)
- 30mtr Auto signal transmitting / Modes synchronization
- Adjustable head 180 Degree
- Requires relevant 24v DC driver & WW-RGBCT-1MC input lead





Technical Specification

Part No	WW-RGBCT-24W
Finish	Anthracite
Colour Temperature	RGB+2700-6500k
CCT	RGB+CT

Voltage	24
Finish	Black
Wattage	24
Lumens	1600
IP Rating	66
Lamp Holder	Integrated LED
Connector Type	Bare End
Length	994
Width	36
Depth	67
Material / Made From	Metal
EAN	5055530833296