

# LEYTON

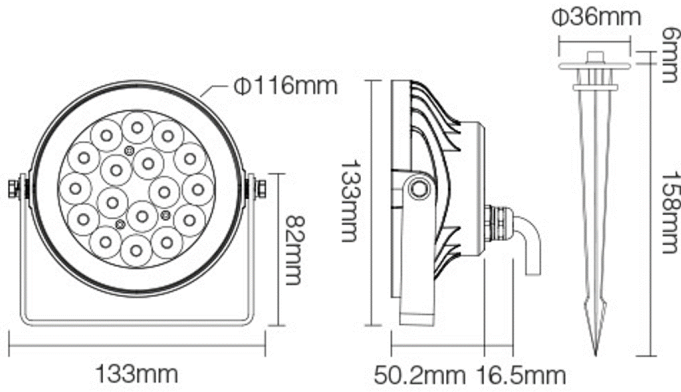
## Product Data Sheet

### **9W RGB+CCT RF/APP Control Outdoor spike/wall light**

Part No: **SF-GUL-RGB-CT-9W**

- RGB+CCT 2700-6500k
- RF remote control / APP control with gateway (sold separately)
- 30mtr Auto signal transmitting / Modes synchronization
- Can be used as a spike light or mounted to a wall
- Adjustable head
- Removable spike to allow wall mounting
- Comes with 0.9 metre input lead





## Technical Specification

<b>Part No</b>	<b>SF-GUL-RGB-CT-9W</b>
<b>Finish</b>	Black
<b>Voltage</b>	240
<b>Wattage</b>	9

<b>Lumens</b>	900
<b>CCT</b>	RGB+CCT
<b>Colour Temperature</b>	RGB+2700-6500k
<b>Beam Angle</b>	15 degree
<b>IP Rating</b>	66
<b>Connector Type</b>	Bare End
<b>Width</b>	116
<b>Depth</b>	67
<b>Class 1 or 2 or 3</b>	II
<b>Material / Made From</b>	Metal
<b>EAN</b>	5055530833234
<b>Unit of sale</b>	1
<b>Price</b>	each