

LEYTON

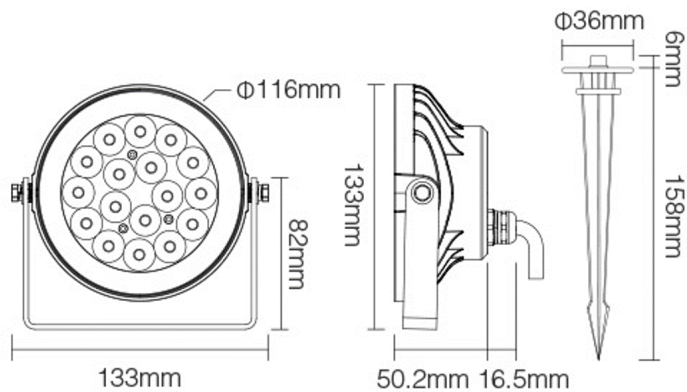
Product Data Sheet

9W RGB+CT RF/APP Control Outdoor spike/wall light

Part No: **GUL-RGB-CT-9W**

- RGB+CT 2700-6500k
- RF remote control / APP control with gateway (sold separately)
- 30mtr Auto signal transmitting / Modes synchronization
- Can be used as a spike light or mounted to a wall
- Adjustable head
- Removable spike to allow wall mounting
- Comes with 0.9 metre input lead





Technical Specification

Part No	GUL-RGB-CT-9W
Lumens	900
CCT	RGB+CT
Colour Temperature	RGB+2700-6500k
Finish	Black
Voltage	240
Wattage	9
CRI	80
IP Rating	66
Dimmable	N
Lamp Holder	Integrated LED
Connector Type	Bare End
Depth	67
Width	116
EAN	5055530833234

Class 1 or 2 or 3

II

Material / Made From

Metal